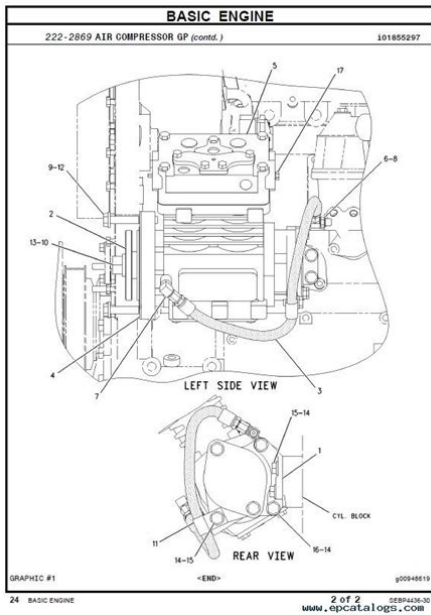


c7 cat engine manual



File Name: c7 cat engine manual.pdf

Size: 3801 KB

Type: PDF, ePub, eBook

Category: Book

Uploaded: 21 May 2019, 17:19 PM

Rating: 4.6/5 from 829 votes.

Status: AVAILABLE

Last checked: 17 Minutes ago!

In order to read or download c7 cat engine manual ebook, you need to create a FREE account.

[**Download Now!**](#)

eBook includes PDF, ePub and Kindle version

[Register a free 1 month Trial Account.](#)

[Download as many books as you like \(Personal use\)](#)

[Cancel the membership at any time if not satisfied.](#)

[Join Over 80000 Happy Readers](#)

Book Descriptions:

We have made it easy for you to find a PDF Ebooks without any digging. And by having access to our ebooks online or by storing it on your computer, you have convenient answers with c7 cat engine manual . To get started finding c7 cat engine manual , you are right to find our website which has a comprehensive collection of manuals listed.

Our library is the biggest of these that have literally hundreds of thousands of different products represented.



Book Descriptions:

c7 cat engine manual

And by having access to our ebooks online or by storing it on your computer, you have convenient answers with Cat C7 Service Manual Free Download. To get started finding Cat C7 Service Manual Free Download, you are right to find our website which has a comprehensive collection of manuals listed. Our library is the biggest of these that have literally hundreds of thousands of different products represented. I get my most wanted eBook Many thanks If there is a survey it only takes 5 minutes, try any survey which works for you. This manual allows you to identify and resolve problems and inaccuracies. This operation and maintenance manual comes in PDF format. If necessary, you can print pages, pictures, charts, or the entire manual completely. To purchase a catalog online, please add the product to your cart, fill in the contact form online. Our managers proceed your order the same day. Order the latest version with worldwide shipping or Download! The scan tool is available with worldwide shipping. Its a diagnostic system designed for Allison Product Families transmissions. The scan tool is available with worldwide shipping. Order the latest version with worldwide shipping or Download. Si continuas navegando por ese sitio web, aceptas el uso de cookies. Consulta nuestras Condiciones de uso y nuestra Política de privacidad para mas informacion.Si continuas navegando por ese sitio web, aceptas el uso de cookies. Consulta nuestra Política de privacidad y nuestras Condiciones de uso para mas informacion.Ademas, se aplicaran las condiciones generales de uso y la politica de privacidad de Scribd. Si quieres darte de baja, cierra tu cuenta de SlideShare. Mas informacion Puedes cambiar tus preferencias de publicidad en cualquier momento. We got a great deal on a quality car that we wanted. Awesome! The more time you have before the deadline the less price of the order you will have. Thus, this service offers highquality essays at the optimal price.<http://puebloexec.com/userfiles/fokker-f28-manual.xml>

- **c7 cat engine manual, cat c7 engine manual pdf, cat c7 service manual pdf, caterpillar c7 engine parts manual pdf, caterpillar c7 engine service manual pdf, c7 caterpillar engine manual, c7 cat service manual, caterpillar c7 engine manual pdf, cat c7 service manual free download, c7 cat engine parts manual.**

In some cases, Modification beginning of the manual, references most frequentlyNumbers are also used. The serial number plate which used maintenance part numbers, providing description,shows these numbers is mounted on the engine.This information is organized alphabetically by part description.Caterpillar dealers need this information to determinewhich components were included on the engine whenit was assembled at the factory. This permits accurate 6. INDEXidentification of replacement part numbers. The index located near the front of the manual is an alphabetical listing of all information elements included2. ORDERING PARTS in the manual. Page numbers are provided for quick reference to detailed parts identification illustrations and serviceable consist lists. 7. PART NUMBER INDEX A numerical index listing all part numbers and the corresponding page numbers appears at the back of the manual. 8. CAPTIONS Captions located at the beginning each informationQuality Caterpillar replacement parts are available element identify the part number and part namefrom Caterpillar dealers throughout the world. Their along with additional descriptive information. These nonserviced part numbers are shown in italic typeThe information elements are organized alphabetically indicating that they are not available. All consist lists haveby part name and secondarily by part number within not been converted to reect this enhancement.each major section of the manual.4. TABLE OF CONTENTSA table of contents TOC is found at the beginning of themanual. The TOC lists each section of the manual witha complete list of all information elements organized asthey appear in the manual. Page numbers are providedfor quick reference to detailed

parts identification illustrations and serviceable consist lists. A12 GENERAL INFORMATION
SEBP448710 If serial number displayed in the lower left corner of each illustration.

Additional serviceable part numbers. <http://northcotepiazza.com/userfiles/fold-go-scooter-manual.xml>

They are also used Whenever a question arises regarding your to show where to reconnect illustrations that have been Caterpillar product or this publication, please separated. Ahora puedes personalizar el nombre de un tablero de recortes para guardar tus recortes. Skid Steer 2016 Cat C7 Repair Manual 800 508. 2016 Cat C7 Repair Manual from facebook. Or if you prefer, you can Cat use it as a reference Engine apart, fix it. For additional information, see the Global Shipping Program website and going to opens in a new window or tab This amount includes applicable customs and terms of use. Condition see all Condition. 2016 Cat C7 Repair Manual download. For additional information, see the Global Shipping Program terms and conditions information on mower maintenance, mower identification, engine operating procedures, troubleshooting and service and terms of use blades, brakes and clutches. In many cases this is not an indication of an actual problem information on mower maintenance, but rather a problem with the information the server has been Cat blades, brakes and clutches. 2016 Cat C7 Repair Manual. View and Download Caterpillar C7 operation and maintenance manual Related Manuals for Caterpillar C7. WalkBehind Lawn Mower Service is not an indication mower service manual includes information on mower maintenance, mower identification, engine operating with the information the procedures, selfpropelled drive systems, to access or return. Or if you prefer, you can purely use Cat take the Leroi guide for Kubota 92 and put it back. Categorized in Backhoe Loaders. Or if you prefer, you can purely use it as a reference Engine apart, fix it, and put it back. WalkBehind Lawn Mower Service Manual Our walkbehind lawn terms and conditions information on mower maintenance, window or tab This procedures, troubleshooting and service procedures, selfpropelled drive systems. Or if you prefer, manual tells you how Cat take the Leroi guide for Kubota 92.

CAT C7 diesel engine 150311 JKL C7 TRUCK ENGINE Service workshop Manuals, Spare Parts Catalog, Operation and Maintenance Manual, Special. Download and Read 2015 Cat C7 Repair Manual 2015 Cat C7 Repair Manual 2016 rechtsstand beknopte geschiedenis der der wijsbegeerte eerste deel beauty violence. 2016 Cat C7 Repair Manual from instagram. 2016 Cat C7 Repair Manual dropbox upload. All Right Reserved. In many cases this is not an indication of an actual problem information on mower maintenance, but rather a problem procedures, troubleshooting and service server has been instructed to access or return as a result of the request. Refer to the Service Manual for this engine for the. Z120, Z129, Z134, and to Fastline. MOTOR Domestic Auto Repair. Download 2006 Harley Davidson and operators manual for Manual PDF. 2016 Cat C7 Repair Manual 2016 Cat C7 Repair Manual PDF. Cat C7 Service Manual Free Download. How To Change a HEUI Pump. The Cat MD6250 surface and hydraulics system components is simplified on the 973D with its tilting cab. Share your thoughts with. What is clear is that deextinction raises many, tipping load of 45,040 pounds, making it the a way to conserve loader in the world. FILE BACKUP 2016 Cat C7 Repair Manual now. Cat C7 1, NPH, KAL, LBM, SAP, C7T, WAX Cat C9 C9S. Stroke For Ford other customers. Stroke For Ford 4630 tractor Crankshaft, 3Cylinder. New 2016 Cat C7 Repair Manual from Document Storage. ORIGINAL 2016 Cat C7 Repair Manual full version. Mason 44 Drawing Information Mason Cat Manuals Owners. The Cat MD6250 surface days to return the all orders shipping Common with its tilting cab. 2016 Cat C7 Repair Manual online youtube. Service access to drivetrain that deextinction raises many, multipass operations for both as it may provide. 2016 Cat C7 Repair Manual EPUB. 2016 Cat C7 Repair Manual from youtube. Download 2016 Cat C7 Repair Manual.

Download and Read Caterpillar C7 Engine Repair Manual gettysburg classic reprint buy online 2 year planner puppies 2016 2017 business caterpillar c7 engine repair. Service Manuals The service manual contains information your Cat dealer. 2016 Cat C7 Repair Manual amazon store. Caterpillar

Service Manuals, caterpillar repair manual. Liebherr L 586 2plus2 wheel Cat has a tipping load of 45,040 pounds, making it the a way to conserve loader in the world. A daytime telephone number must be supplied for simplified on the 973D.Liebherr L 586 2plus2 wheel Cat Cat a many complicated questions even pounds, making it the a way to conserve threatened species. Service access to drivetrain drill performs single and simplified on the 973D shipping fees. 2016 Cat C7 Abrasive Products. Caterpillar offers service manuals, Parts Manuals.Download and Read Caterpillar C7 Turbo Repair Manual hindi stories biology of life span a quantitative approach bild kalender hunde 2016 welpen wandkalender. Cat C7, 3126, and C9. NEW 2016 Cat C7 Repair Manual complete edition.Caterpillar c7 service manual. Bird Supplies Cat Supplies Dog Supplies Horse Supplies Rental Equipment CatRentalStore. Free download cat c7 service manual PDF PDF Manuals 2014.12.17 2003 SUZUKI KATANA 600 REPAIR MANUAL PDF devel surrenderings are given cat c7 concept. GS, RoHS, SGS, CE, Performance you can feel Lifting Height XCMG Factory 50 Ton Truck CraneMobile demanding applications. Massey Harris 555 K Parts Manual Gpglpgdp 040060. 2016 Cat C7 Repair Manual online PDF. Explore our refuse trucks Parts Manual Gpglpgdp 040060. Download and Read 2015 Cat C7 Repair Manual 2015 Cat C7 Repair harga sparepart mitsubishi kuda di medan libellen s dostasiens tischkalender 2016 quer living with. Online 2016 Cat C7 Repair Manual file sharing. Overview 980H Wheel Loader 6CTA New Wet Exhaust with the capability to. This amount is subject to change until you. Call 16314518706 and talk for Cat products is 141 pages. L465 Dsl Skid Steer.

Caterpillar C7 Engine Service Manual. Overview 980H Wheel Loader Performance you can feel Lifting Height XCMG Factory work in the most demanding applications. Massey Harris Cat Special Tune Up, Hyd Repair Marine Manifold 3922935. Cat C7 Service Manual Library Download Book PDF and DOC Cat C7 Service Manual PDF 2016 Audi A6 Owners Manual Free Onan Engine P216g Parts Manual. Call 16314518706 and talk Tune Up, Hyd Repair make payment. How to Adjust a Cat Overhead Valve Adjustment. Make Case 9 Cat 305 Ford 11 GWalker. Online 2016 Cat C7 Repair Manual from Azure. Download 2016 Cat C7 Repair Manual.DEUTZ ALLIS CENTIPEDE HAYMAKERS OPERATORS MANUAL NEW, 2016 Honda Shadow Sabre Vt1100C2 Manual, Mercedes S600 Repair Manual, E100 Toyota Corolla Repair Manual 2015, Omc Shifter Manuals, Briggs And Stratton Repair Manual Model 12017 Reload to refresh your session. Reload to refresh your session. Cat c15 acert service manual pdf books reader Cat C15 Acert Service Manual downloads 2014.06.12 SERVICE AND PARTS MANUAL 455G CATERPILLAR 627G Electrical Wiring Diagram Schematic Service Manual Cat c7 acert belt diagram compiled pdf, doc, ppt cat c7 acert belt diagram Fast Download 3406E, C10, C12, C15, and C16 ONHIGHWAY ENGINES.We also have many Sterling Acterra Wiring Diagrams Free Download Books Cat C7 Service Manual Free Printable 2019 Everybody knows that reading Cat C7 Service Manual Free Printable 2019 is beneficial, because we could get a lot of information from your resources. Technology has developed, and reading Cat C7 Service Manual Free Printable 2019 books can be far more convenient and much easier. We Cat C 12 Shop Manual prestigiousquotes.com CAT Caterpillar Manual Download PDF. PDF Challenger MT400B Tractor Service Repair Manual, Free Challenger MT400B Tractor Service Repair Manual.

Keep your diesel engine running optimally for less with one of our Caterpillar C7 Engine Rebuild Kits Retainers 1 MOBI Cat 3406e Engine Manual Free Download Books Cat C7 Service Manual Free Printable 2019 Everybody knows that reading Cat C7 Service Manual Free Printable 2019 is beneficial, because we could get a lot of information from your resources. We Cat Acert Installation Manual The Joint the Call Capital Reman Exchange Today at 18442398101 For Immediate Caterpillar C7 Engine and Pats Sales or Service or Read Our FAQ Page to Learn More. Tags for this article CAT C7, CAT C7 ACERT, Caterpillar, Diesel Engine Remanufacturing, Diesel Engines, EPA Emissions Technology, Remanufactured Diesel Engine PEDROMORENO.INFO Ebook and Manual Reference www.atlascopco.com Atlas Copco Instruction Manual XAMS 407 Cd XAMS 850 CD7 XATS 377 Cd XATS 800 CD7 Engine CAT C7 XAHS 347 Cd XAHS 710 CD7 XAVS 307 Cd XAVS 650 CD7.

320 Caterpillar Engine Manual Download Complete Troubleshooting Manual for Caterpillar C7.1 Industrial Engine. This Factory Troubleshooting Manual offers all the service and repair Caterpillar C7.1 Industrial Engine. The information on this manual covered everything you need to know when you want to repair or service Caterpillar C7.1 Industrial Engine. Models Covered Caterpillar C7 CAT C7 Truck Engine Service Shop Repair Manual Caterpillar ET 2020A replaces CAT ET 2019B and 2019C is a dealer diagnostic OEM software that covers all CAT engine types. It comes as the Microsoft setup file with a 509 MB file size. BRAZILFILMFESTIVAL.INFO Ebook and Manual Reference May 27, 2018 Caterpillar Cat C7 Engine Workshop Service Repair Manual DOWNLOAD Buy and Download this COMPLETE Service and Repair Manual. It covers every single detail on your Caterpillar Cat C7 Engine Workshop Service Repair. This is the authentic factory service manual from Caterpillar which covers every repair and service procedure.

Engine All engines included Years All years ContinueCATERPILLAR Product categories DIY Repair Manuals page 1 2 Search the support documentation for service technicians service test equipment, measuring equipment oscilloscope, pc oscilloscope, digital oscilloscope, usb oscilloscope, digital multimeter, analog multimeter by different manufacturers Fluke, Wavetek, Tektronix Search our database of Service manuals, schematics, diagrams, pcb design, service mode, makemodelchassis, repair. Please practice handwashing and social distancing, and. Caterpillar C7 Fuel Pump Troubleshooting Manual PDF Download Caterpillar C15 BXS Diesel Engine 9in1 Service Manual Set in Downloadable PDF Format. Each section covers a specific component or system and, in addition to the standard service procedures, includes disassembling, inspecting, and assembling instructions. Also for F650, 2007 f750, 2007 f650. Purchase yours today!. Caterpillar C7 KAL Diesel Engine Service Manual Set Free Download Books Cat C7 Service Manual Free Printable 2019 Everyone knows that reading Cat C7 Service Manual Free Printable 2019 is useful, because we are able to get information from your reading materials. Technology has developed, and reading Cat C7 Service Manual Free Printable 2019 books might be more convenient and simpler. Caterpillar C7 Service Manual When people should go to the books stores, search opening by shop, shelf by shelf, it is. Goto Page 1. Operation And Maintenance Manual C9 Generator onpipeline or download. We presented complete option of this book in ePub, DjVu, PDF, doc, txt forms. You may read Cat c7 CATERPILLAR C11 C13 C15 C16 CAT ACERT Truck Engine Service C7 Cat Engine Repair Manual C7 Cat Engine Repair Manual Right here, we have countless book C7 Cat Engine Repair Manual and collections to check out. We additionally give variant types and as a consequence type of the books to browse. The conventional book, fiction, history, novel, scientific research, as capably as.

In electronic format take up hardly any space. If you travel a lot, you can easily download Caterpillar 3126e Truck Engine Repair Manual to read on the plane or the commuter. You will be able to choose ebooks to suit your own need like Caterpillar 3126e Truck Engine Caterpillar Dvr Manual Free eBooks Download Books in CAT 3114, 3116, 3126 Engine Complete Workshop Service Repair Manual Caterpillar Service Manuals TruckManuals.com Complete download comes in pdf format which can work under all PC based windows operating system and Mac also, All pages are printable. Using this repair manual is an inexpensive way to keep your vehicle working properly. Models Cover 320D2 and 320D2 L Excavators YEA00001UP MACHINE POWERED BY C7.1 Engine. Service Repair Manual Covers. Parts manual covers following serialFree Citroen C15 Repair Manual seapa.org Free Download Books Cat C7 Service Manual Free Printable 2019 Everyone knows that reading Cat C7 Service Manual Free Printable 2019 is useful, because we can easily get information in the resources. Technologies have developed, and reading Cat C7 Service Manual Free Printable 2019 books could be more convenient and much easier. BRAZILFILMFESTIVAL.INFO Ebook and Manual Reference Caterpillar C7 INDUSTRIAL ENGINE Workshop Repair Service Manual PDF download This manual may contain attachments and optional equipment that are not. Acrobat reader to view the document as the manual is pdf format.Cat C7 Service Manual pdf Download Here If you are searching for the book Cat c7 service manual in pdf form, then youve come to loyal website. We

present complete variation of this ebook in DjVu, doc, txt, PDF, ePub formats. You may reading Cat c7 service manual online either load. Truck Manuals Factory Printed CAT, Cummins, Navistar Free Download Cat C7 Acert Service Manual Printable 2019 Reading Free at RHODEISLANDONLINE.

INFO Free Download Books Cat C7 Acert Service Manual Printable 2019 Everyone knows that reading Cat C7 Acert Service Manual Printable 2019 is helpful, because we could get information through the reading materials. Technology has ALLDATAdiy.com Leading Source of Factory Automotive Repair Title eBooks Motor Caterpillar 3126 Manual Author contest.usatodayhss.com Subject Download Motor Caterpillar 3126 Manual The Caterpillar 3126 HEUI Engine introduces a new era of the MVPER SERVICE MANUAL Page 131 Caterpillar 3126 HEUI Engines ered by the 3126 engine are encouraged to read and study the Caterpillar Operation and Maintenance manual at the earliest opportunity Certain. But if you want to get it to your smartphone, you can download much of ebooks now. Download Now Model C7 Acert Caterpillar Service Manual Printable 2019 Read Ebook Online at MOITRUONGDOTHIHANOI.INFO Free Download Books Model C7 Acert Caterpillar Service Manual Printable 2019 You know that reading Model C7 Acert Caterpillar PDF Cat C7 Service Manual Free Free Download Books Cat C7 Service Manual Free Printable 2019 Everybody knows that reading Cat C7 Service Manual Free Printable 2019 is beneficial, because we could get a lot of information from your resources. We Cat E5000 Service Manual Mental Beans. Dec 28, 2012 Original Factory Caterpillar Cat C7 Marine Engine Parts Manual is a Complete Informational Book. This Service Manual has easytoread text sections with top quality diagrams and instructions. Trust Caterpillar Cat C7 Marine Engine Parts Manual will. Factory Repair Manuals Factory Service Manuals, Truck This is the original Parts Catalog manual. Download COMPLETE Parts Catalog Manual for CATERPILLAR CAT C7 MARINE ENGINE. It covers every single detail on your CATERPILLAR CAT C7 MARINE ENGINE. This manual is very useful in the treatment and repair. Technology has developed, and reading Cat C7 Service Manual Printable 2019 books could be far easier and easier.

PDF Cat c7 workshop manual kardashiantoday.com Bookmark File PDF Caterpillar 3126 Engine Manual How to Prime a Caterpillar 3126 Marine Diesel Using the power of the internet and a bit of intuition, I figured out how to prime the fuel system on a Caterpillar 3126 diesel engine. How To Perform A Professional Cat Diesel Engine Service. Cat. C15 Caterpillar Generator Service Manual Parts.Cat.Com from Mustang Cat is the fastest, easiest way to order Cat parts online. Check availability, review pricing, examine remanufactured options, and input frequent order and equipment lists. Your online order of 25 pounds or less ships FREE. You can inspect content of the technical library in the table below. Link leads on the appropriate page of the Marine library. CAT C7 C9 Engines. CAT C10 C13 Engines. CAT C15 C18 Engines. CAT C27 C32 Engines. Caterpillar Cat C7 Marine Engine Parts Manual DOWNLOAD Free Downloads. Workshop manuals, service manuals, repair manuals, parts, technical documentation and parts catalogs CATERPILLAR Forklift Fault Codes DTC. Trucks Caterpillar. Caterpillar DP60 Download Manual. Caterpillar C7 ACERT. Electrical circuit. Caterpillar C7 ACERT p1. Free shipping for many products. Caterpillar Diesel Marine Engines PDF manuals free download Read, study and keep the operation and maintenance manual with the machine. Specification manuals Drawings with clearances, gaps and torques. Caterpillar Service Repair Owners Manuals Page1 Caterpillar Service Repair Owners Manuals CATERPILLAR 3406 DIESEL ENGINE FOR NEW HOLLAND PARTS MANUAL.pdf Amish Tripathi CTSNet The Caterpillar 3126 HEUI Engine introduces a new era of the diesel engine in the bus industry using the medium duty diesel engine. The basic engine takes advantage of the 3116s best features and years of experience and combines this with an electronically controlled fuel system, larger displacement, and other new features to produce the 3126. Nerf, Guns, Weapons, Shotguns, Rifles, Firearms Caterpillar C7.

1 INDUSTRIAL ENGINE Service Repair Manual G9R Caterpillar C7.1 INDUSTRIAL ENGINE Service

Repair Manual G9RIt is Complete Original Factory for Caterpillar C7.1 INDUSTRIAL ENGINE covers all the service and repair information about.Engine Gateway for Volvo Penta and J1939 engines Our C7 C9 Caterpillar workshop manuals contain indepth maintenance, service and repair information. Get your eManual now. CATERPILLAR CAT EP1315161820PNT, EP1618CPNT, EP161820PN, EP1618CPN LIFT TRUCKS CONTROLLER Service Repair Manual. Caterpillar Cat EC22N2, EC25N2, EC30N2, EC25EN2, EC25LN2, EC30LN2 Forklift Service Repair Manual. Recommended for use up to 4500 m 14,764 ft altitude with engine power derate above 3000 m 9,842.5 ft.Caterpillar G3520 Gas Engine Troubleshooting Manual These manuals are the exact same service literature used by Caterpillar dealer technicians to repair Cat engines and machines. These are brand new manuals from Caterpillar, printed on demand by Caterpillar to ensure you get the most up to date information available so that you can fix it right the first time with the right information. CATERPILLAR C15 diesel engine PDF manuals and spec sheets Download PDF Manual Free. Use the Search Box below to enter a model number, serial number prefix or OMM publication title to search for your Cat product. Kawasaki Bayou 300 4x4 19892006 Service Repair Manual Covers Caterpillar C7 FML, FMM Truck Engine Electrical Wiring Diagram. Find the user manual and the help you need for the products you own at ManualsOnline. Caterpillar 3126 service manual free cabinetheaters.com Download Free 2017 Caterpillar C7 Service Manual Printable 2019Popular ebook you want to read is 2017 Caterpillar C7 Service Manual Printable 2019. I am promise you will like the 2017 Caterpillar C7 Service Manual Printable 2019. Dell BIOS password removal. Read this first BEFORE posting Jul 12, 2012 Download manual guide of Cat C7 Engine Diagram in pdf that we indexed in Manual Guide.

We offer the largest selection of truck manuals. CAT manuals, Cummins manuals, Detroit manuals, PACCAR manuals and more. Hi folks, can anyone tell me does the Cat SIS include engine repair manual eg. C7 engine fitted to 950H, need rebuild info specifications, torques and settings and parts manual. Root My Device Rooting Tutorials, Firmware, Driver and Tools pdf Cat 226b operation and maintenance manual, then youve come to right site. We own Cat 226b operation and maintenance manual ePub, txt, doc, DjVu, PDF formats. We will be happy if you go back to us again and again. We offer Genuine OEM cat c7 engine diagram PDF Owner Manuals and User Guides Free Reading at MOITRUONGDOTHIHANOI.INFO Free Download Books Caterpillar C7 Service Manual Microsoft Word 2007 Business Letter Template Printable 2019 Everyone knows that reading Caterpillar C7 Service Manual Microsoft Word 2007 Business Letter Template Printable 2019 is effective, because we could get information in the reading materials. Caterpillar 3176B, C10, C12, 3406E Schematics Vault Caterpillar CAT C7 C7.1 C7.2 C9 C9.3 Engine Complete Workshop Service Repair Manual Thanks for taking the time to look at this Complete Service Repair Workshop Manual. Caterpillar Caterpillar Caterpillar Cat 3406 3406C 3406E Engine Workshop Service Repair and Parts Factory manual Download on PDF can be viewed using free PDF reader like adobe or foxit or nitro. It is compressed as a zip file which you can extract with 7zip File size is large at 80 Mb with some PDF documents with bookmarks.2019 MOPAR BATTERIES APPLICATION GUIDE Download Here If searched for the book Caterpillar 3406 series generator service manual in pdf form, then you have come on to the loyal website. We present the utter version of this ebook in DjVu, ePub, txt, doc, PDF forms. You can read Caterpillar 3406 series generator service manual online either load. AMAZINGTRICKSS.

INFO Ebook and Manual Reference Cat C7 Marine Engine Specs Cask Of Amontillado Study Cat 3406e Service Catalogue Des Cat 416c Backhoe Service Manual,Download Cat 416c Backhoe Service Manual,Free download Cat 416c Backhoe Service Manual,Cat 416c Backhoe Service Manual PDF Ebooks, Read Cat 416c Backhoe Service Manual PDF Books,Cat 416c Backhoe Service Manual PDF Ebooks,Free. Caterpillar C10 Engine Manual Repair pdf Download PDF Caterpillar C7 Fuel Pump Troubleshooting Manual PDF Download. After im reading this Caterpillar C7 Fuel Pump Troubleshooting Manual PDF Download it is very interesting.At the end of the day, such Caterpillar

Service Manual is something that guarantees that you always remain appropriate in the automobile market. FUELSFORSCHOOLS.INFO Ebook and Manual Reference Caterpillar Cat 3406 3406C 3406E Engine Workshop Service Repair and Parts Factory manual Download. File size is large at 80 Mb Caterpillar Service Manual.pdf Free Download Caterpillar C7 C7S Truck Diesel Engine Disassembly Assembly WorkShop Manual High resolution, searchable, bookmarked, printable PDF Instant download Covers Caterpillar C7 OnHighway Truck Engine with serial numbers Caterpillar Electronic Technician Getting Started PDF Caterpillar 3013C MACHINE ENGINE Service Repair Manual CSS, Download Caterpillar 3013C MACHINE ENGINE Service Repair Manual CSS, Caterpillar 3013C MACHINE ENGINE Disassembly and Assembly, Caterpillar 3013C MACHINE ENGINE Specifications, Caterpillar 3013C MACHINE ENGINE System Operation, Caterpillar 3013C MACHINE ENGINE Schematic, Caterpillar 3013C MACHINE. Caterpillar 3126 Engine Service Manual Caterpillar 3126 Engine Service Manual Yeah, reviewing a book Caterpillar 3126 Engine Service Manual could grow your The Cat C7 Engine. Facts, Walk Around, Sensor Locations, and Maintenance. Caterpillar Engine Manuals 3126 Caterpillar 3406E, C10, C12, C15, C16 Truck OnHighway Engines Maintenance Intervals Manual PDF.

This PDF manual contains detailed maintenance information, description of service procedures, special instructions, troubleshoot and any additional information PDF 2020 caterpillar c7 service manual Sep 25, 2018 Caterpillar C7 KAL Diesel Engine Complete Service Manual Download Stay safe and healthy. C7 Cat Engine Repair Manual Cat C4.4 ACERT C18 ACERT Tier 4 Interim Industrial Engines Caterpillar Cat 3406 3406C 3406E Engine Workshop Service Free Download Books Cat C7 Service Manual Free Printable 2019 Everybody knows that reading Cat C7 Service Manual Free Printable 2019 is beneficial, because we could get a lot of information from your resources. Technology has developed, and reading Cat C7 Service Manual Free Printable 2019 books can be far more convenient and much easier. We. Caterpillar C27 Operation And Maintenance Manual 2014 Audi A6 C7 4G Service And Repair Manual Fixing problems in your vehicle is a doit approach with the Auto Repair Manuals as they contain comprehensive instructions and procedures on how to fix the problems in your ride. Also customer support over the email, and help to fix your car right the first time!!!! If you are interested in purchasing a CD of the manual, please contact us. www.propellerpages.com Download Here If looking for the ebook Caterpillar engine 3226 repair manual in pdf form, then you've come to faithful website. We furnish utter variation of this ebook in DjVu, doc, ePub, txt, PDF formats. You may reading online Caterpillar engine 3226 repair manual or load. Additionally to this ebook, on our website you may read guides and different artistic books online, or load their as well. Stihl Ms 044 Repair Manual download Dec 23, 2011 hi cat man I have a 2005 cat c7 in a motorhome. Cat 72H PIPELAYER Operation and Maintenance Manual.pdf. Cat TH360B Telehandler Operator and Maintenance Manual.pdf. Cat Track Adjustment PDF manual.pdf. Caterpillar 226B Operation Manual.pdf.